



PRECISION

P U M P S

&

E N G I N E E R I N G

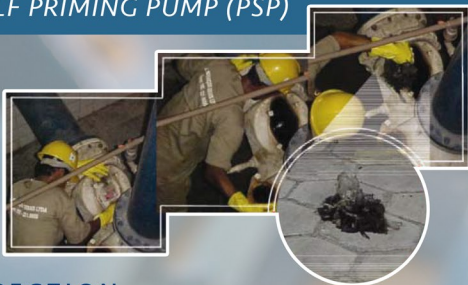
*HEAVY DUTY
SELF-PRIMING
SOLID HANDLING
TRASH PUMPS*



SERIES RC PRECISION SELF PRIMING PUMP (PSP)

QUICK AND SIMPLE MAINTENANCE

ROUTINE MAINTENANCE SERVICES ARE CARRIED OUT QUICKLY AND EASILY WITH THE USE OF REGULAR TOOL, THUS ECONOMIZING TIME AND LABOUR.



CLEANING AND INSPECTION

WITHOUT DISCONNECTING THE PIPEWORK (BACK - PULL - OUT)

ANOTHER ADVANTAGE OF THE SELF PUMP IS THAT CLEANING AND CLEARING ARE SIMPLE TASKS, AS ARE INSPECTION AND SUBSTITUTION OF THE IMPELLER AND SEAL, WHEN NECESSARY.

THE PSP (Precision Self Priming) PUMP WAS ESPECIALLY DESIGNED FOR QUICK CLEANING BEFORE RETURNING TO OPERATION.



EVEN DURING PREVENTIVE MAINTENANCE, INTERNAL INSPECTION CAN BE CARRIED OUT QUICKLY AND SAFELY. TO DO THIS, ALL THAT HAS TO BE DONE IS TO UNSCREW AND LIFT THE



HANDLES OF THE INSPECTION COVER, AND THEN PERFORM THE CLEANING OPERATION, WITHOUT REMOVING THE CASING NOR DISCONNECTING THE PIPEWORK.

SHIMLESS EXTERNAL IMPELLER ADJUSTMENT

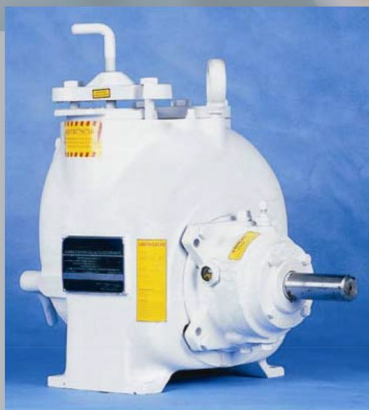


AN EXCLUSIVE SYSTEM TO EXTERNALLY ADJUST THE IMPELLER CLEARANCE WITHOUT DISASSEMBLING THE PUMP, WITH THE USE OF JUST AN ALLEN OR FIXED WRENCH, SIMPLE ADJUSTMENT CAN OPTIMISE PUMP EFFICIENCY WHILE EXTENDING THE LIFE OF BOTH IMPELLER AND WEAR PLATE.



SERIES RC - 2 INCH

MODEL PSP-50



DATA SHEET

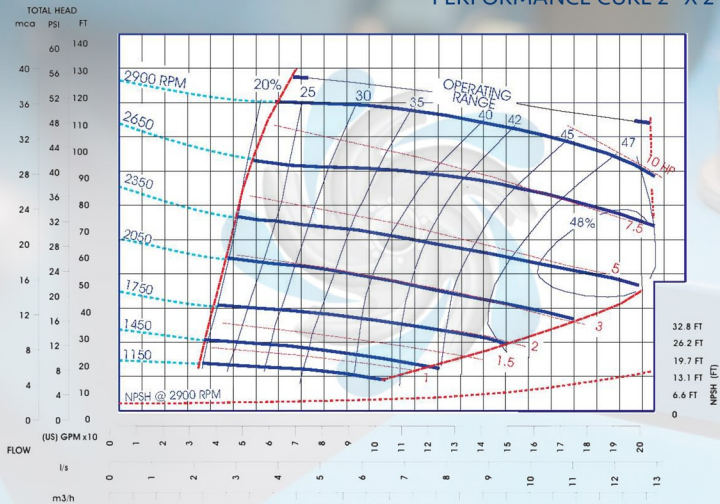
NET WEIGHT	: 92kg (203lbs)
SHIPPING WEIGHT	: 114kg (252lbs)
IMPELLER DIA	: 158,75mm (6,1/4")
R.P.M	: 1150rpm to 2900rpm
MAX SOUNDS	: 44,45mm (1.3/4")

SELF-PRIMING

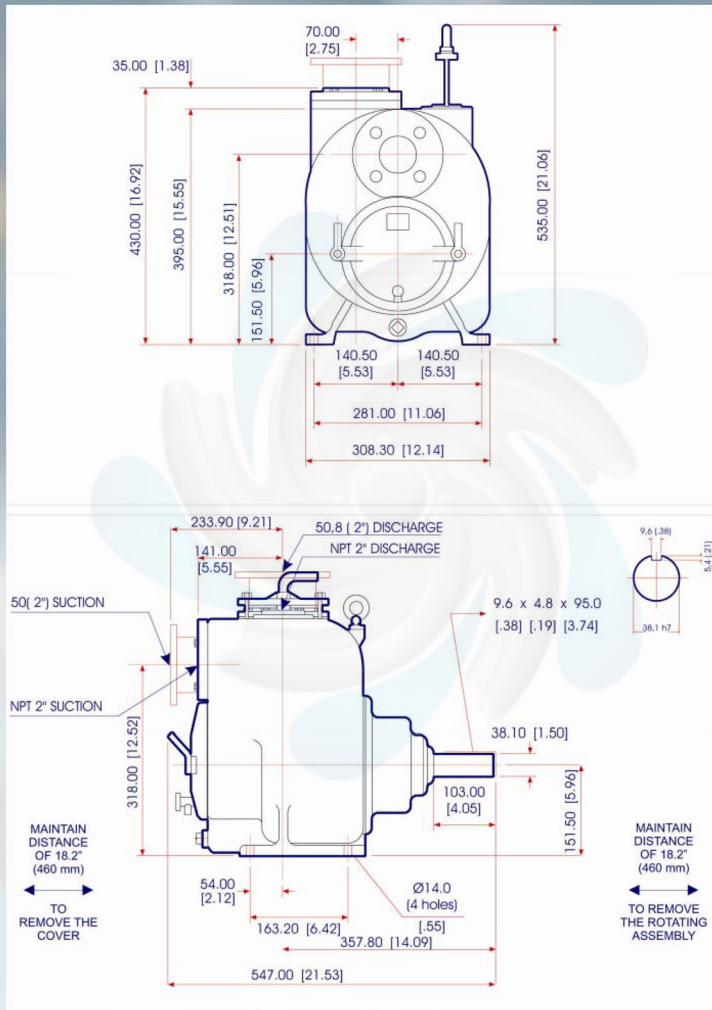
1150 rpm	7.3M (24ft)
1450 rpm	7.6m (25ft)
1750 rpm	7,6m (25ft) - 2050 rpm 7,6m (25ft)
2350 rpm	7,6m (25ft) - 2650 rpm 7,6m (25ft)
2650 rpm	7,6m (25ft) - 2900 rpm 7,6m (25ft)

BEFORE USING THIS TABLE, CHECK THE NPSH.

PERFORMANCE CURVE 2" X 2"



EXTERNAL DIMENSIONS
MILLIMETERS (INCHES)



SERIES RC - 3 INCH

MODEL PSP-75



DATA SHEET

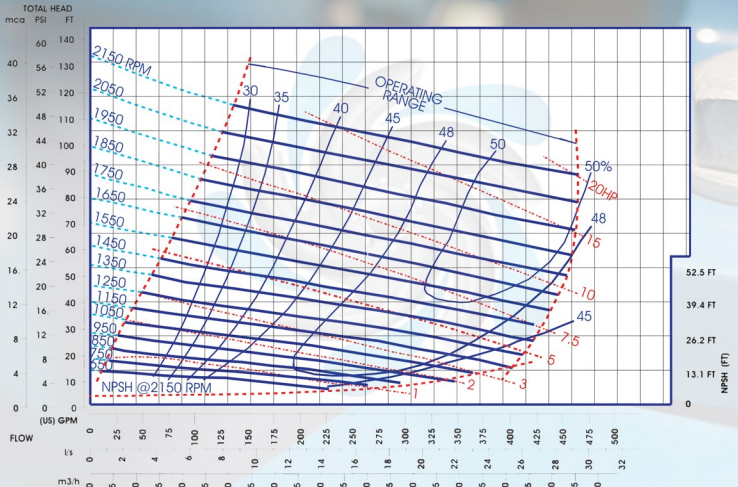
NET WEIGHT	: 183kg (404lbs)
SHIPPING WEIGHT	: 205kg (452lbs)
IMPELLER DIA	: 222,25mm (18,3/4")
R.P.M	: 650rpm to 2150rpm
MAX SOUNDS	: 63,5mm (2.1/2")

SELF-PRIMING

650 rpm	1.5M (5ft)	750 rpm	1.8m (6ft)
850 rpm	2,4m (8ft)	950 rpm	3,0m (10ft)
1050 rpm	4,0m (13ft)	1150 rpm	4,9m (16ft)
1450 rpm	6,4m (21ft)	1550 rpm	6,4m (21ft)
1650 rpm	6,7m (22ft)	1750 rpm	6,7m (22ft)
1850 rpm	7,6m (25ft)	1950 rpm	7,6m (25ft)
2050 rpm	7,6m (25ft)	2150 rpm	7,6 (25ft)

BEFORE USING THIS TABLE, CHECK THE NPSH.

PERFORMANCE CURVE 3" X 3"



SERIES RC - 4 INCH

MODEL PSP-100



DATA SHEET

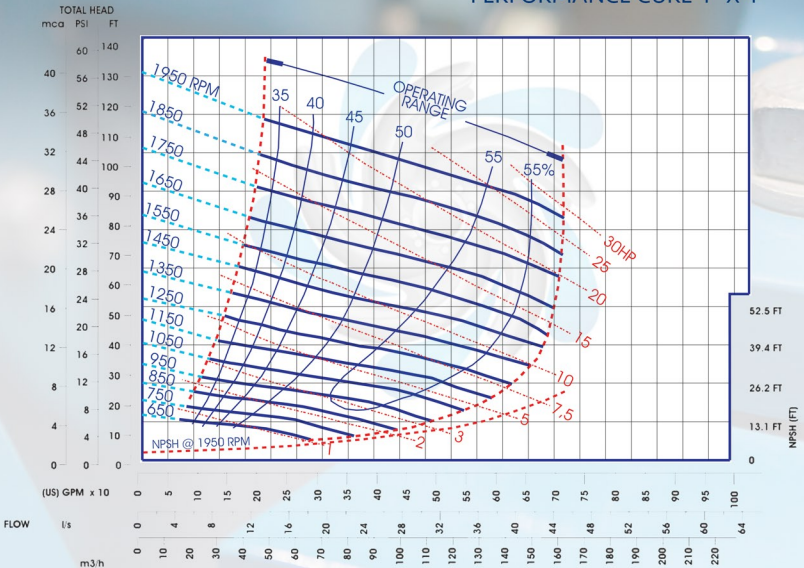
NET WEIGHT	: 259,5kg (600lbs)
SHIPPING WEIGHT	: 280kg (655lbs)
IMPELLER DIA	: 247,65mm (9,3/4")
R.P.M	: 650rpm to 1950rpm
MAX SOUNDS	: 76,25mm (23")

SELF-PRIMING

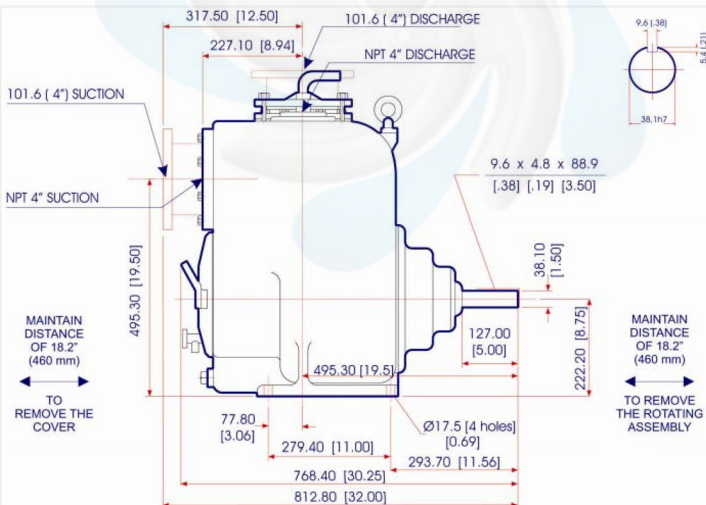
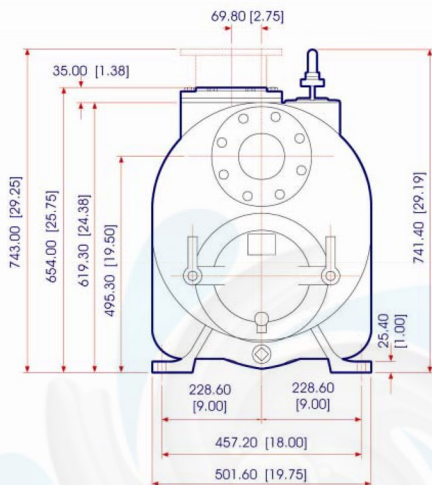
650 rpm	1,5M (5ft)
750 rpm	2,4m (8ft)
850 rpm	4,9m (1.6ft)
950 rpm	5,8m (19ft)
1050 rpm	6,7m (22ft)
1150 rpm	7,3m (24ft)
1250 rpm	7,6m (25ft)
1350 rpm	7,6m (25ft)
1450 rpm	7,6m (25ft)
1550 rpm	7,6m (25ft)
1650 rpm	7,6m (25ft)
1750 rpm	7,6m (25ft)
1850 rpm	7,6m (25ft)
1950 rpm	7,6m (25ft)

BEFORE USING THIS TABLE, CHECK THE NPSH.

PERFORMANCE CURVE 4" X 4"



EXTERNAL DIMENSIONS
MILLIMETERS (INCHES)



SERIES RC - 6 INCH

MODEL PSP - 150



DATA SHEET

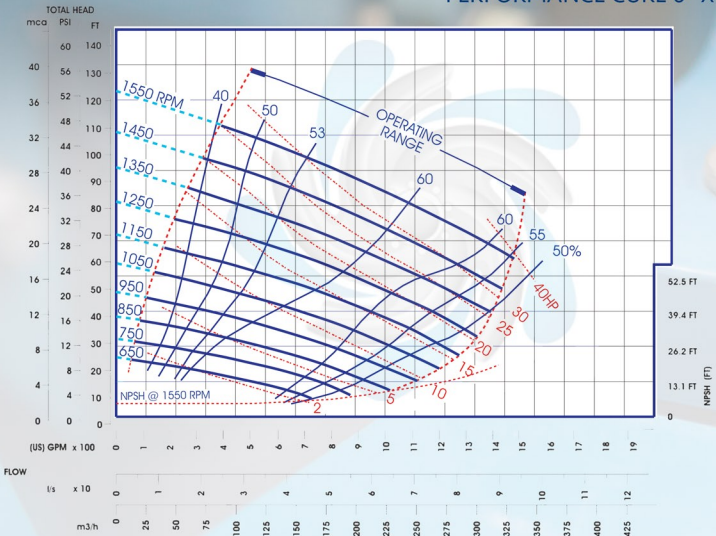
NET WEIGHT	: 364kg (802lbs)
SHIPPING WEIGHT	: 391kg (862lbs)
IMPELLER DIA	: 314,32mm (12.3/8")
R.P.M	: 650 rpm to 1550 rpm
MAX SOUNDS	: 76,2mm (3")

SELF-PRIMING

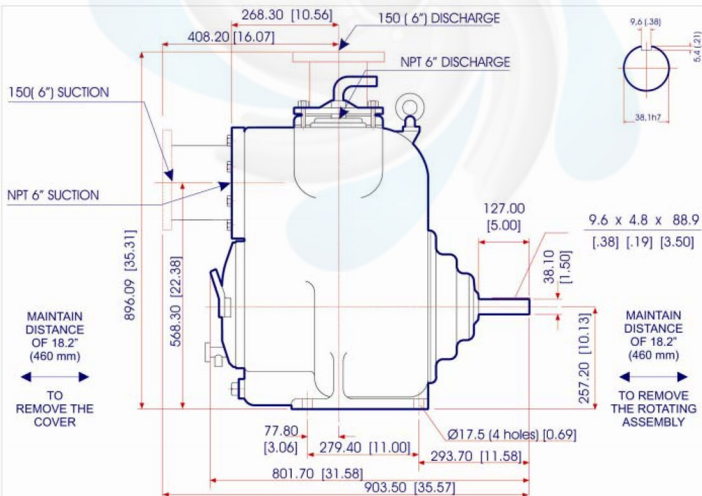
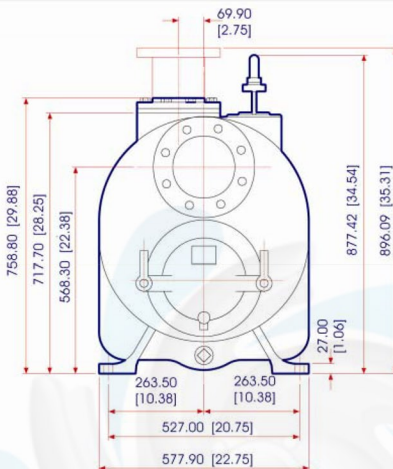
650 rpm	2,4m (8ft)
750 rpm	2,7m (9ft)
850 rpm	3,6m (12ft)
950 rpm	4,2m (14ft)
1050 rpm	5,5m (18ft)
1150 rpm	6,4m (21ft)
1250 rpm	6,4m (21ft)
1350 rpm	6,7m (22ft)
1450 rpm	7,0m (23ft)
1550 rpm	7,6m (25ft)

BEFORE USING THIS TABLE, CHECK THE NPSH.

PERFORMANCE CURVE 6" X 6"



EXTERNAL DIMENSIONS
MILLIMETERS (INCHES)



SERIES RC - 8 INCH

MODEL PSP - 200



DATA SHEET

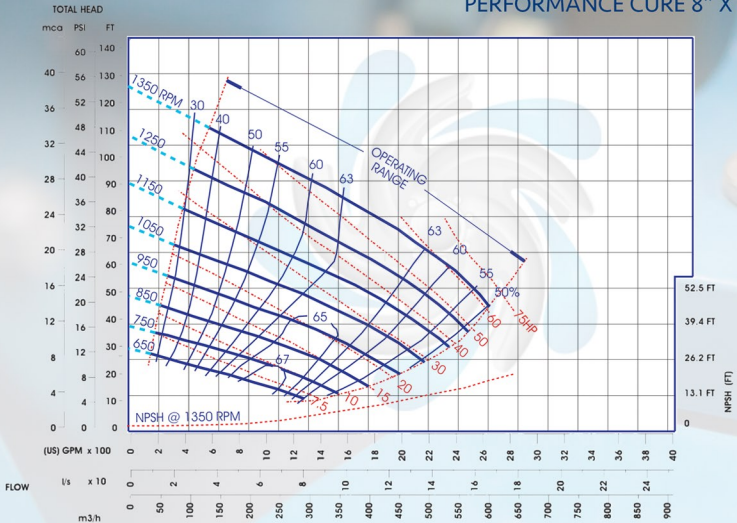
NET WEIGHT	: 581kg (1295lbs)
SHIPPING WEIGHT	: 634kg (1399lbs)
IMPELLER DIA	: 374,65mm (14.3/4")
R.P.M	: 650 rpm to 1350 rpm
MAX SOUNDS	: 76,2mm (3")

SELF-PRIMING

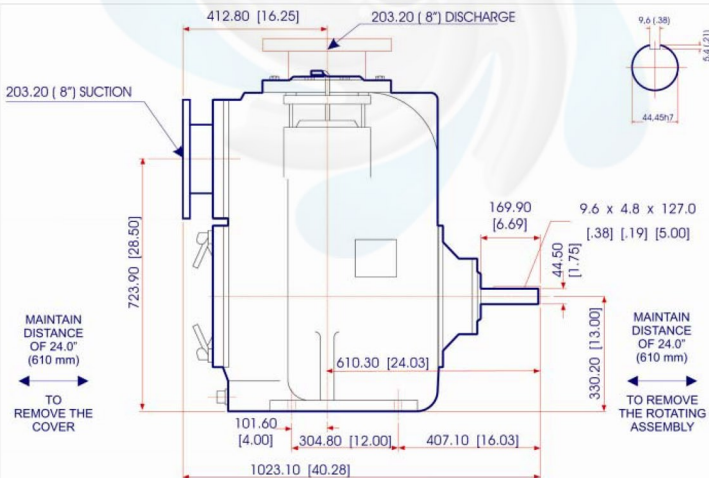
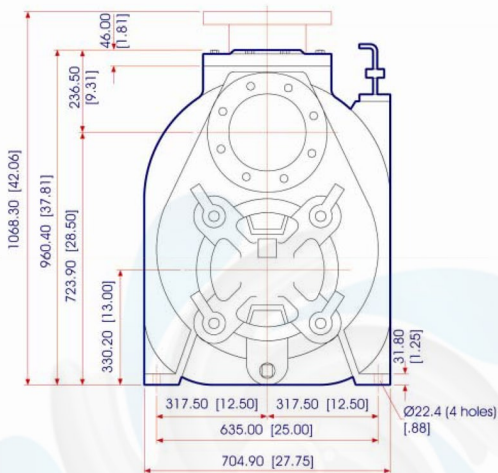
650 rpm	2,7M (9ft)
750 rpm	3,7m (12ft)
850 rpm	4,6m (15ft)
950 rpm	5,2m (17ft)
1050 rpm	6,1m (20ft)
1150 rpm	6,4m (21ft)
1250 rpm	6,7m (21ft)
1350 rpm	7,0m (23ft)

BEFORE USING THIS TABLE, CHECK THE NPSH.

PERFORMANCE CURVE 8" X 8"



EXTERNAL DIMENSIONS
MILLIMETERS (INCHES)



SERIES RC - 10 INCH

MODEL PSP - 250



DATA SHEET

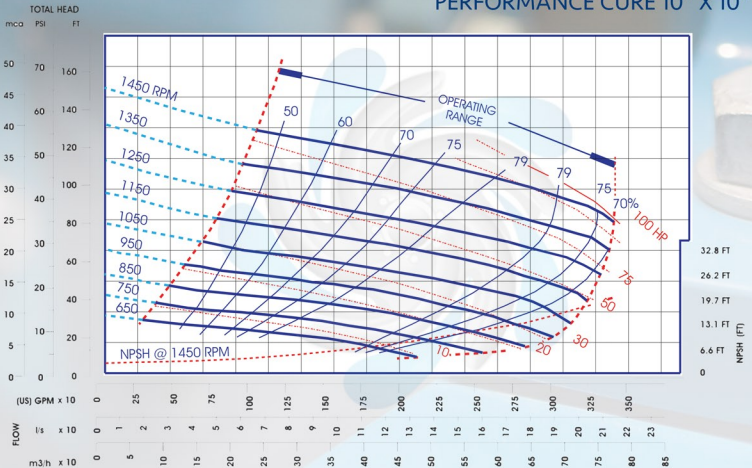
NET WEIGHT	: 635kg (1400lbs)
SHIPPING WEIGHT	: 663kg (1461lbs)
IMPELLER DIA	: 374,65mm (14.3/4")
R.P.M	: 650 rpm to 1450 rpm
MAX SOUNDS	: 76,2mm (3")

SELF-PRIMING

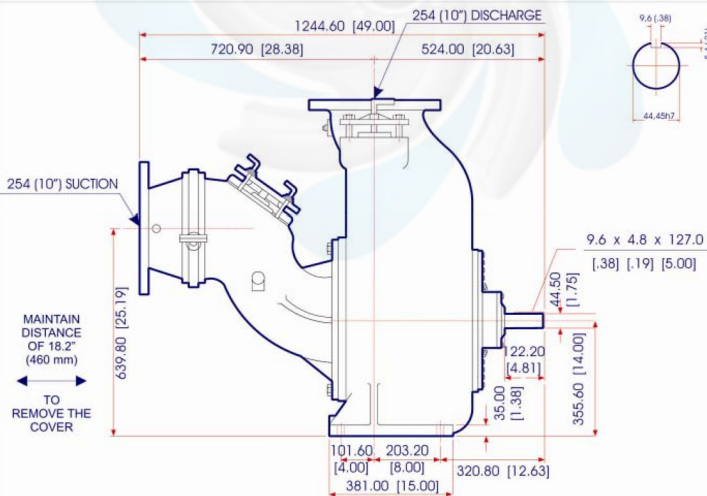
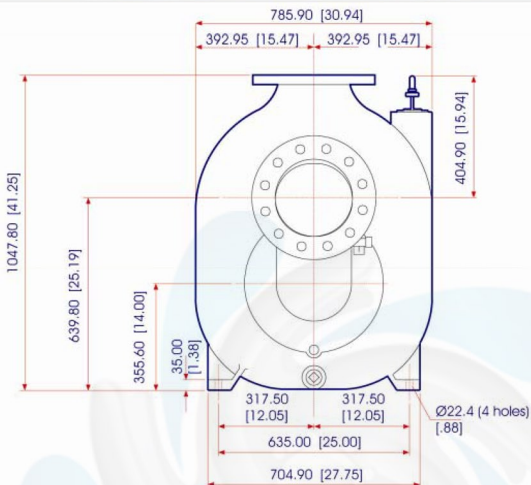
650 rpm	2,1M (7ft)
750 rpm	3,4m (11ft)
850 rpm	4,3m (14ft)
950 rpm	5,2m (17ft)
1050 rpm	5,5m (18ft)
1250 rpm	5,8m (19ft)
1350 rpm	6,7m (22ft)
1450 rpm	6,7m (22ft)

BEFORE USING THIS TABLE, CHECK THE NPSH.

PERFORMANCE CURVE 10" X 10"



EXTERNAL DIMENSIONS
MILLIMETERS (INCHES)



SERIES RC - 12 INCH

MODEL PSP - 300



DATA SHEET

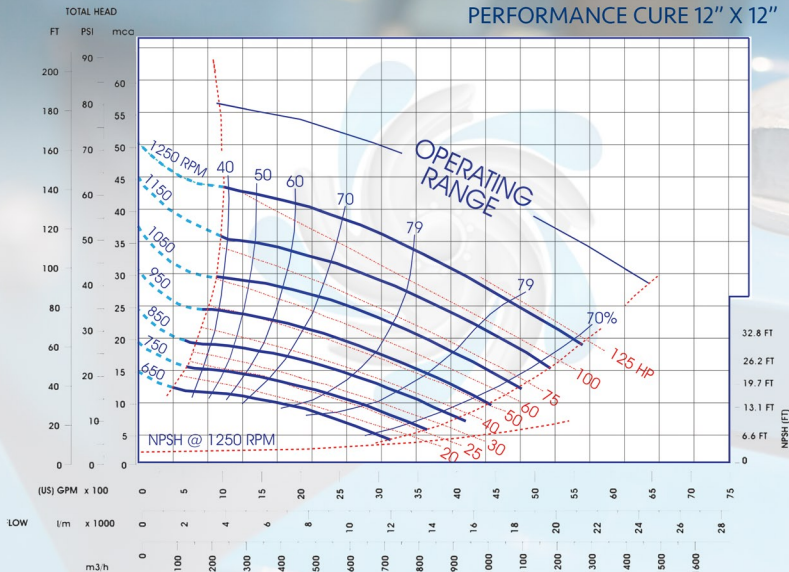
NET WEIGHT	: 998kg (2200lbs)
SHIPPING WEIGHT	: 1066kg (2350lbs)
IMPELLER DIA	: 457,2mm (18")
R.P.M	: 650 rpm to 2150 rpm
MAX SOUNDS	: 76,2mm (3")

SELF-PRIMING

650 rpm	1.6M (5ft) - 750 rpm	2.7m (9ft)
950 rpm	3.9m (13ft) - 950 rpm	4.5m (15ft)
1050 rpm	4.9m (16ft) - 1150 rpm	4.9m (16ft)
1250 rpm	4.9m (16ft)	

BEFORE USING THIS TABLE, CHECK THE NPSH.

PERFORMANCE CURVE 12" X 12"



EXTERNAL DIMENSIONS
MILLIMETERS (INCHES)

